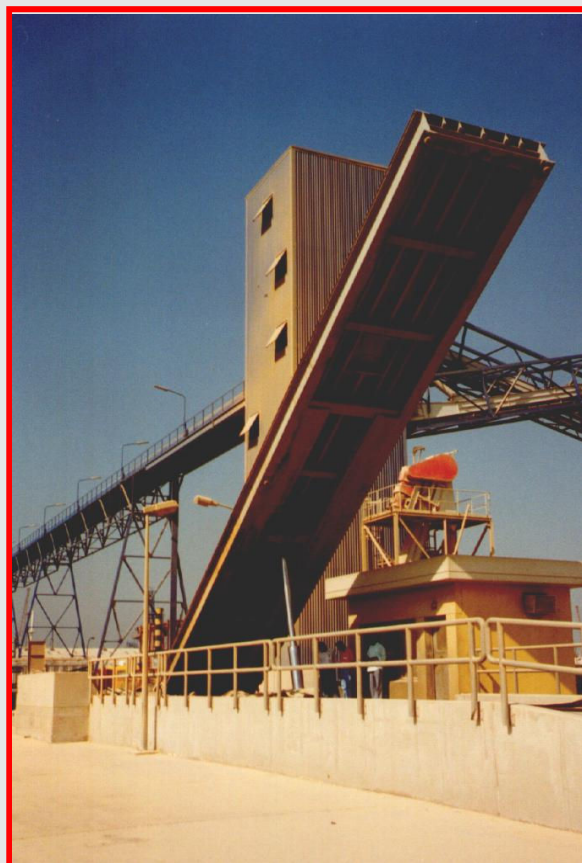


TRUCK DUMPERS
VS-T EVS-T



www.preciamolen.com

Meant for unloading bulk commodities, truck dumpers have become extremely popular and useful. Large quantities of bulk commodities can be unloaded rapidly and reliably as for example at grain terminals and silo installations.

For users and processors of large quantities of bulk material the truck dumper is an ideal choice.

A greater efficiency can be achieved when combining two functions, unloading and weighing, saving space, labour costs and a lower investment.

Our truck dumper and truck dumper weighbridge are designed to fulfill the requirements for fast, efficient and above all reliable unloading of a wide variety of road vehicles. They have been installed for numerous applications worldwide.



Remote control (optional)



Powerpack,



Detail of control panel for operation of the truck dumper

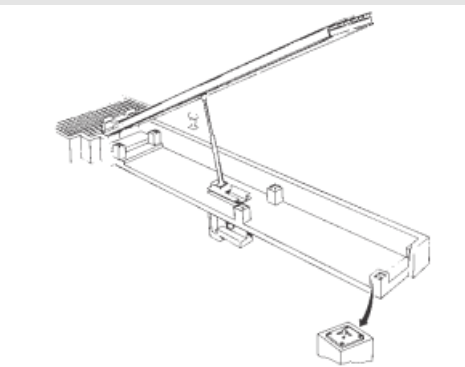
Technical data



Truck dumper station

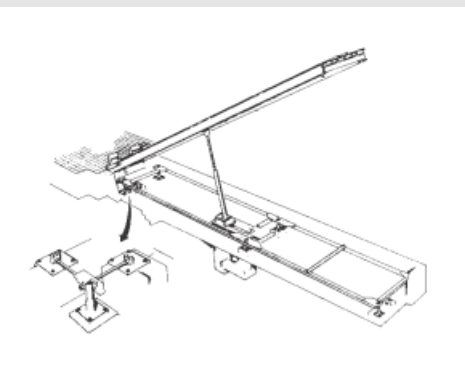
- Multi-stage cylinder construction with powerpack, PLC controlled, for trouble free operation (optional: dual mounted cylinders, synchronized acting)
- Double retractable wheel stop versions , coping with a wide range of tailgate overhang
- All sizes available with combined weighing function , allowing single point tipping and weighing
- Saves both space and capital cost as well as reducing labour costs with no compromise in weighing accuracy
- High speed operation for rapid turn-around of lorries
- Unit allows rapid unloading of non-selftipping vehicles, as well maintaining

full control of operations



Type VS-T

| Tipping capacity (kg) | Platform size (l x w) |
|-----------------------|-----------------------|
| 100.000 | 16 x 3 |
| 100.000 | 18 x 3 |
| 100.000 | 20 x 3 |



Type EVS-T

| Tipping and weighing capacity (kg) | Platform size (l x w) | # load cells |
|------------------------------------|-----------------------|--------------|
| 100.000 x 50 | 16 x 3 | 6 |
| 100.000 x 50 | 18 x 3 | 6 |
| 100.000 x 50 | 20 x 3 | 6 |

PRECIA-MOLEN Nederland BV
 PO Box 3246, 4800 DE Breda
 Tel 076 5242503
 Fax 076 5228039
 E-mail export@preciamolen.nl

